

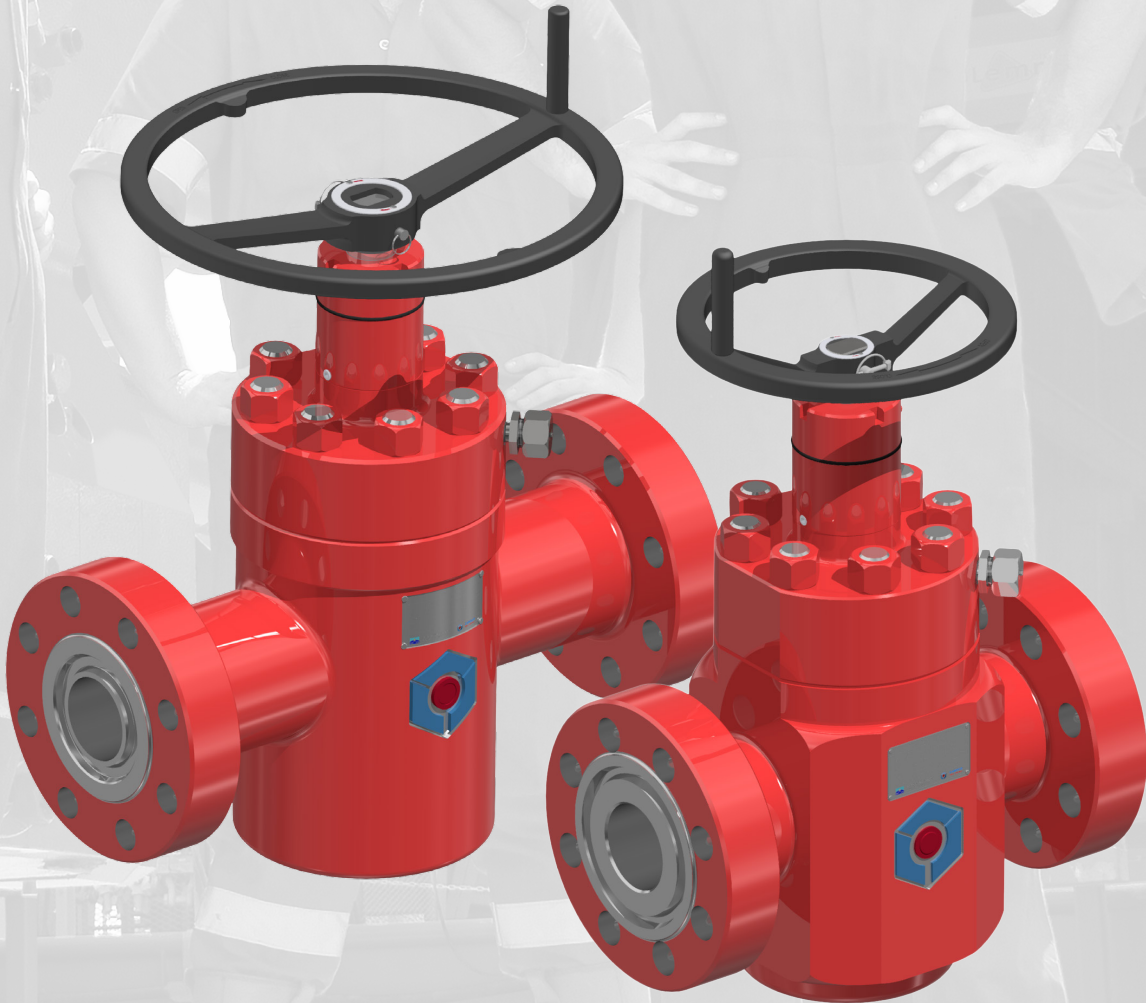


CANSKO[™]
WELL CONTROL

DVM03

MANUAL GATE VALVE

DVM0305
DVM0310
DVM0315



Number: 05-05-90-BRO Version: Issue 1 Rev 0
Date: 14th February 2019 Status: Issued

P.O. Box 37063 Dubai
United Arab Emirates

T: +971 4 880 3909

F: +971 4 880 1858

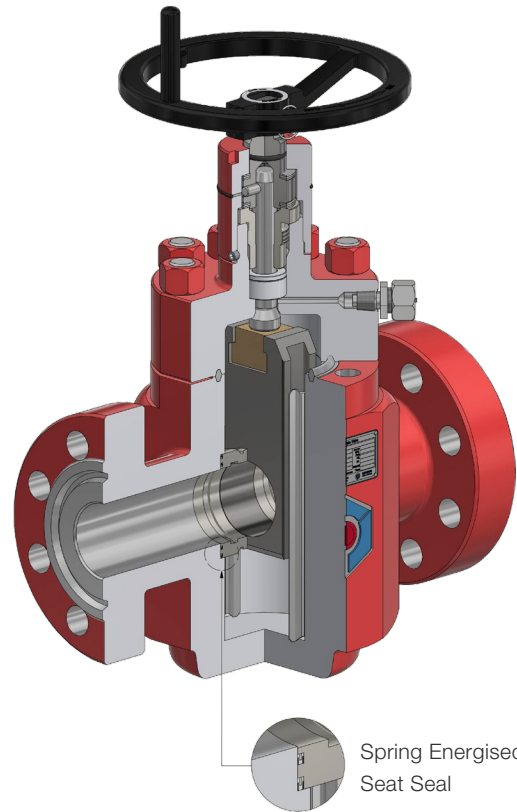
E: enquiries@cansco.com

FEATURES AND BENEFITS

The CANSCO DVM series manual gate valve is a flanged through-conduit isolation valve built for the most demanding drilling applications. Its one-piece solid slab style gate consistently delivers outstanding sealing performance throughout a wide range of conditions, bore sizes, and working pressures, including corrosive and abrasive fluid environments.

The slab gate design effects a metal to metal seal on the flow stream and its simple, straightforward design makes it easy to maintain low and high-pressure sealing situations where contaminants could pose a sediment problem. Primarily for sour gas and oil where resistance to Hydrogen Sulphide embrittlement is required, the DVM series is also suitable for other chemicals, products or hydrocarbons when H₂S is present.

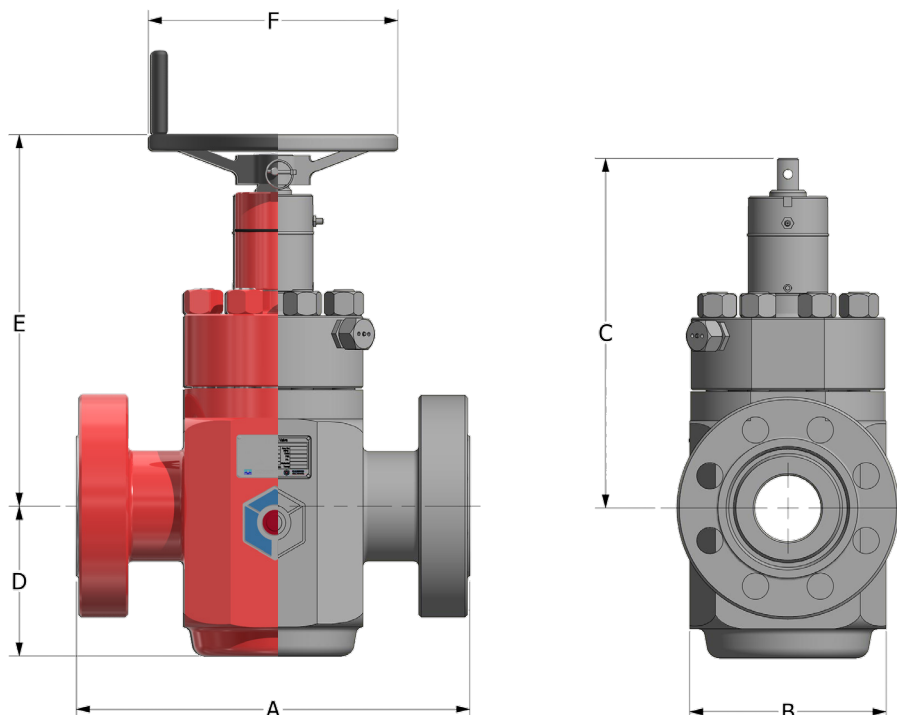
The DVM series manual gate valves are standardised in design and have a high percentage of parts interchangeability to provide simple and efficient management and maintenance of gate valve fleets, and deliver optimal lifecycle management integrity.



Spring Energised Seat Seal

DVM - MANUAL GATE VALVE SPECIFICATIONS

Nominal Size (in)	Working Pressure (psi)	API Ring Gasket	Dimensions in [mm]						Weight lbs [kg]	Number of Turns to Open / Close Valve
			A	B	C	D	E	F		
3 1/8	5,000	R-35	18.62 [472.90]	9.29 [236]	16.56 [420.50]	7.09 [180]	17.57 [446.40]	11.81 [300]	383.60 [174]	18
3 1/16	10,000	BX-154	24.37 [619]	9.25 [235]	16.64 [422.70]	7.71 [195.80]	19.24 [488.60]	17.72 [450]	451.95 [205]	18
3 1/16	15,000	BX-154	23.54 [598]	11.73 [298]	19.93 [506.23]	8.98 [228]	21.30 [541]	17.72 [450]	760.59 [345]	24



MANUAL GATE VALVE TECHNICAL SPECIFICATION

Valve Type	Bomco, Cansco DVM - Manual Operation
Valve Description	Through conduit isolation valve. Forged steel body and bonnet. Slab gate, bi-directional sealing design. Positive Metal to Metal Sealing (gate to seat and seat to body). Spring energised stem and seat seals, non-rising stem and stem backseat.
Valve Design	API 6A 20th Edition and NACE MR-01-75
Valve Specification	PU (5-10K) / PX (15K), EE-NL, PSL 3G, PR 2

SIZE

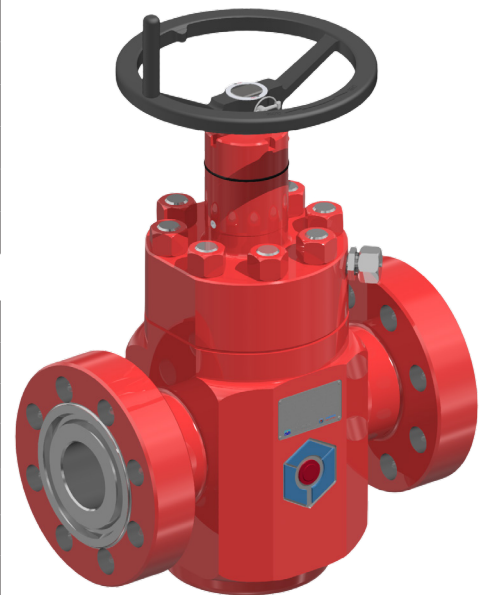
Model	DVM0305	DVM0310	DVM0315
End Connection Size	3-1/8" 5K, R-35 / RX-35	3-1/16" 10K, BX-154	3-1/16" 15K, BX-154
End Connection Type	API Type 6B Flange	API Type 6BX Flange	API Type 6BX Flange
Bore Diameter	3.0125"	3.063"	3.063"
Face to Face Dimension	18.62"	24.37"	23.54"
Approximate Weight	174kg	205kg	345kg

MATERIAL

Body	Forged AISI 4130
Bonnet	Forged AISI 4130
Body and Bonnet RTJ's	316 SS Inlay
Studs	ASTM A193 GR-B7, Zinc Coated
Nuts	ASTM A194 GR-2H, Zinc Coated
Grease	Molybdenum Disulphide (MOS2) Grease

OPERATING PARAMETERS

Working Pressure	5,000psi	10,000psi	15,000psi
Test Pressure	1.5 x Rated WP	1.5 x Rated WP	1.5 x Rated WP
API Temperature Range	P to U	P to U	P to X
	(-20°F to +250°F)	(-20°F to +250°F)	(-20°F to +350°F)
API PR	2	2	2
API PSL	3G	3G	3G



TRIM

API Material Class	EE	
NACE Limits	P-U	No Limits (EE-NL) *
	P-X	360 (EE-360) **
Valve Trim Material	Gate	AISI 410 + Ni60
	Seat	AISI 410 + Co12M Cobalt Based Alloy
	Stem	Alloy 718
Valve Trim Packing Material	PTFE c/w Spring Energiser	
Valve Trim Design	Through Conduit with Metal to Metal Seal	

* Material Class EE is suitable for sour service and has no limit (designated 'NL') on the exposure to H2S as defined by API 6A and NACE MR-01-75.

** Material Class EE is suitable for sour service to a limit of 360psi partial pressure (designated '360') on the exposure to H2S, as defined by API 6A and NACE MR-01-75, for temperatures over 275°F up to 350°F. As temperatures of 275°F and below no limit (NL) is placed on the exposure to H2S.

INTEGRITY

ON EVERY **WELL**

P.O. Box 37063 Dubai
United Arab Emirates

T: +971 4 880 3909

F: +971 4 880 1858

E: enquiries@cansco.com

 [/CanscoDubai](https://twitter.com/CanscoDubai)

 [/Cansco-Well-Control](https://www.linkedin.com/company/cansco-well-control)

 [/Cansco-Well-Control](https://www.facebook.com/Cansco-Well-Control)

 www.cansco.com