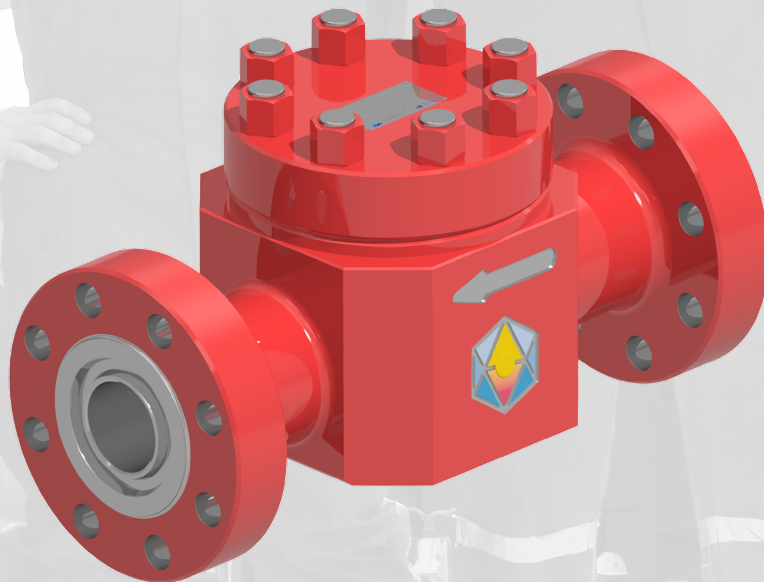




**BOMCO·CANSCO**  
TECHNOLOGIES

**DVC-03**  
DRILLING VALVE  
CHECK TYPE

DVC-0305 - 3-1/8", 5,000psi  
DVC-0310 - 3-1/16", 10,000psi  
DVC-0315 - 3-1/16", 15,000psi



Number: 05-05-92-BRO      Version: Issue 1 Rev 2  
Date: 06 December 2022      Status: Issued

P.O. Box 37063 Dubai  
United Arab Emirates

T: +971 4 880 3909

F: +971 4 880 1858

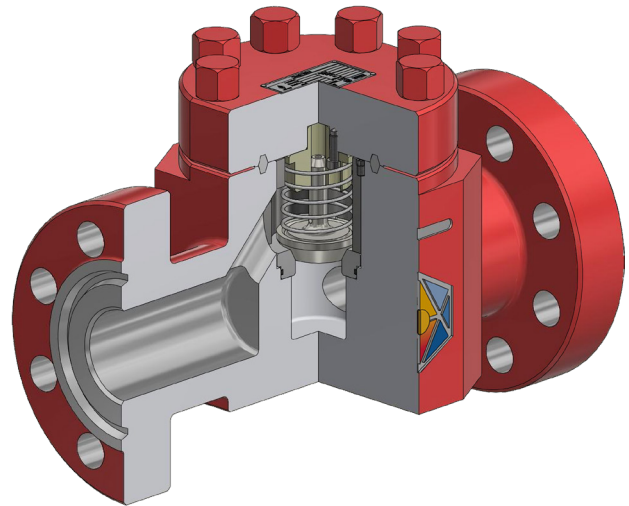
E: [enquiries@cansco.com](mailto:enquiries@cansco.com)

## FEATURES AND BENEFITS

The BOMCO•CANSCO DVC series check valve is an API 6A flanged non return valve built for the most demanding well control applications. Metal-to-metal sealing of the DVC poppet and seat is suited for high-pressure and high-temperature environments. The DVC check valve is primarily used for the prevention of back-flow in well control kill lines and kill manifolds and can be used with oil, gas, water, or drilling fluids.

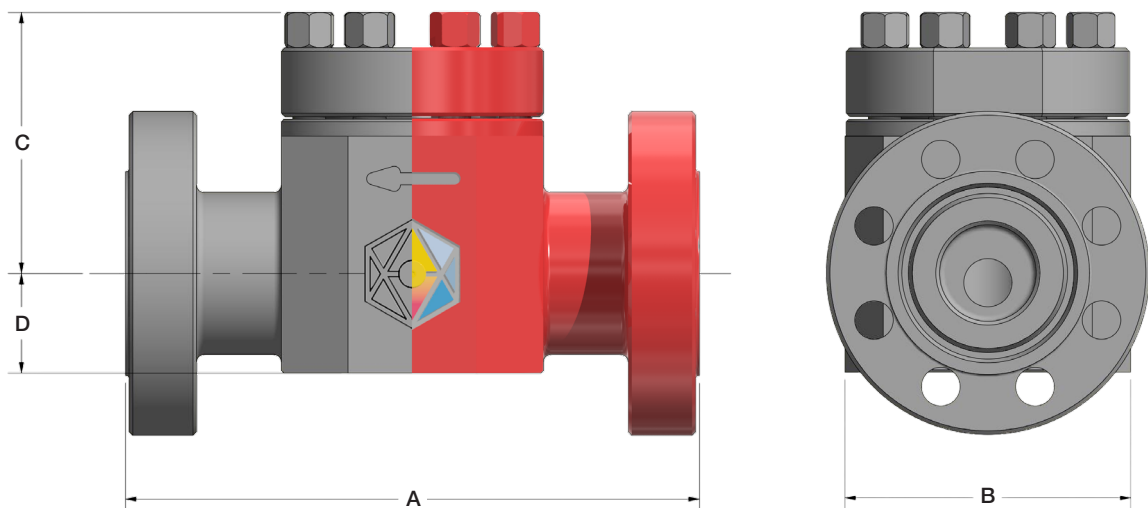
### Other Features of the BOMCO•CANSCO DVC Check Valve:

- Simple, straightforward design
- Forged body and bonnet
- Metal-to-metal sealing (poppet and seat)
- Superior sealing performance in high pressure and high temperature applications
- Low maintenance
- Compliant with NACE MR-01-75 requirements
- API 6A Monogrammed



### DVC - CHECK VALVE SPECIFICATION

Nominal Size (in)	Working Pressure (psi)	API Ring Gasket	Dimensions in [mm]				Weight lbs [kg]
			A	B	C	D	
3- 1/8	5,000	R-35	18.62 [472.90]	9.29 [236]	8.46 [215]	3.23 [82]	304.24 [138]
3-1/16	10,000	BX-154	24.37 [619]	10.63 [270]	8.82 [224]	3.23 [82]	410.06 [186]
3-1/16	15,000	BX-154	23.54 [598]	11.22 [285]	9.69 [246]	3.21 [81.5]	502.65 [228]



**DVC CHECK VALVE TECHNICAL SPECIFICATION**

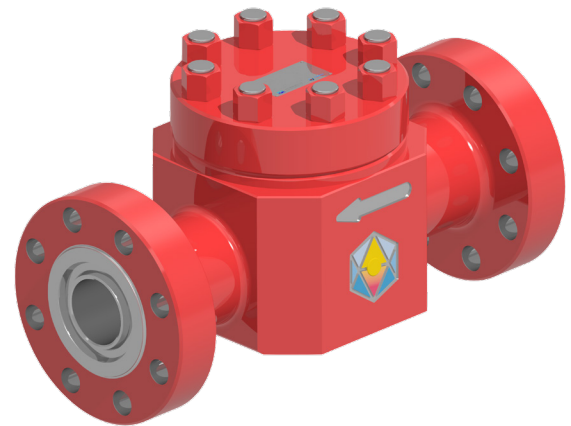
Valve Type	BOMCO•CANSCO DVC
Valve Description	Flanged non-return valve. Forged steel body and bonnet. Metal to Metal Sealing (poppet and seat). Superior sealing performance in high pressure and high temperature applications.
Valve Design	API 6A 21st Edition and NACE MR-01-75
Valve Specification	PU (5K) / PX (10K - 15K), EE-NL, PSL 3G, PR 2

**SIZE**

Model	DVC-0305	DVC-0310	DVC-0315
End Connection Size	3-1/8" 5K, R-35 / RX-35	3-1/16" 10K, BX-154	3-1/16" 15K, BX-154
End Connection Type	API Type 6B Flange	API Type 6BX Flange	API Type 6BX Flange
Face to Face Dimension	18.62"	24.37"	23.54"
Approximate Weight	138 kg	186 kg	228 kg

**MATERIAL**

Body	Forged AISI 4130
Bonnet	ASTM A194 GR-2H, Zinc Coated
Body and Bonnet RTJ's	Inconel 625 Inlay
Studs	ASTM A193 GR-B7, API 20E
Nuts	ASTM A194 GR-2H, API 20E


**OPERATING PARAMETERS**

Working Pressure	5,000psi	10,000psi	15,000psi
Test Pressure	1.5 x Rated WP	1.5 x Rated WP	1.5 x Rated WP
API Temperature Range	P to U (-20°F to + 250°F)	P to X (-20°F to + 350°F)	P to X (-20°F to + 350°F)
API PR	2	2	2
API PSL	3G	3G	3G

**TRIM**

API Material Class	EE	
NACE Limits	P-U	No Limits (EE-NL) *
	P-X	No Limits (EE-NL) *
Valve Trim Material	Poppet	AISI 420
	Seat	AISI 420
Valve Trim Design	Metal to Metal Seal	

\* Material Class EE is suitable for sour service and has no limit (designated 'NL') on the exposure to H2S as defined by API 6A and NACE MR-01-75.

Note: The BOMCO•CANSCO DVCs can be supplied in different temperature, trim and production specification level configurations, subject to the latest API 6A and NACE MR-01-75 requirements. Please contact BOMCO•CANSCO for your specific DVC requirements.

# INTEGRITY

ON EVERY **WELL**

P.O. Box 37063 Dubai  
United Arab Emirates

T: +971 4 880 3909

F: +971 4 880 1858

E: [enquiries@cansco.com](mailto:enquiries@cansco.com)

 [/CanscoDubai](https://twitter.com/CanscoDubai)

 [/Cansco-Well-Control](https://www.linkedin.com/company/cansco-well-control)

 [/Cansco-Well-Control](https://www.facebook.com/Cansco-Well-Control)

 [www.cansco.com](http://www.cansco.com)