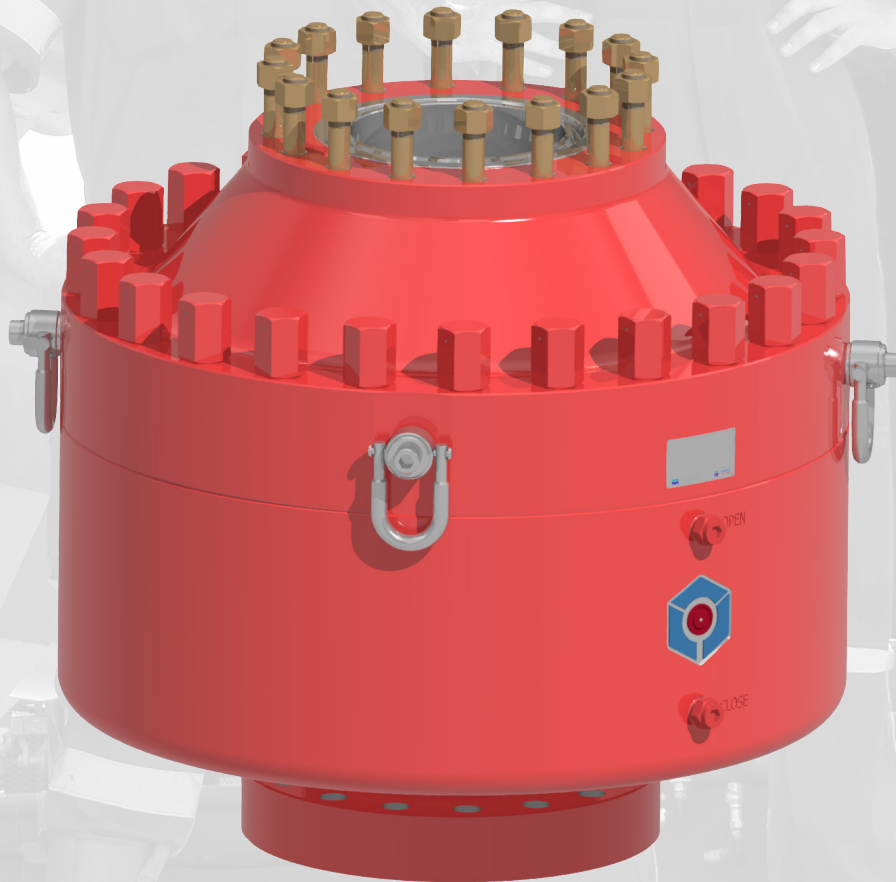




CANSOCO[™]
WELL CONTROL

ANNULAR TYPE BLOWOUT PREVENTER

AS1305



Number: 05-05-73-BRO-01 Version: Issue 1 Rev 0
Date: 21st May 2020 Status: Issued

P.O. Box 37063 Dubai
United Arab Emirates
T: +971 4 880 3909
F: +971 4 880 1858
E: enquiries@cansco.com

AS ANNULAR BOP ASSEMBLY AND CONFIGURATIONS

AS BOP - Major Parts

Item	Description	Quantity
A1	Housing, Upper, Studded	1
A2	Housing, Lower, Flanged	1
A3	Packing Element	1
A4	Ring, Adapter	1
A5	Piston	1

FEATURES AND BENEFITS

The CANSCO AS Annular Blowout Preventer (BOP) is built for surface (land, jack-up, platform etc.) applications worldwide and comes in a range of well bore sizes and working pressure ratings to suit the full range of well construction, completion, workover and intervention activities. It's simple and reliable construction makes the AS Annular BOP ideal for operating in rugged, harsh environments and in extreme temperatures.

The AS packing element, energised by hydraulic operating pressure, can achieve complete shut-off on well open-hole, and well annulus shut-off on virtually all profiles of Kelly, drill string pipe and collar, casing and tubing string, tool joints and wireline. In addition the flexibility of the AS packing element allows well annulus shut-off to be maintained as the string profile changes dynamically, permitting stripping of drill string under well pressure.

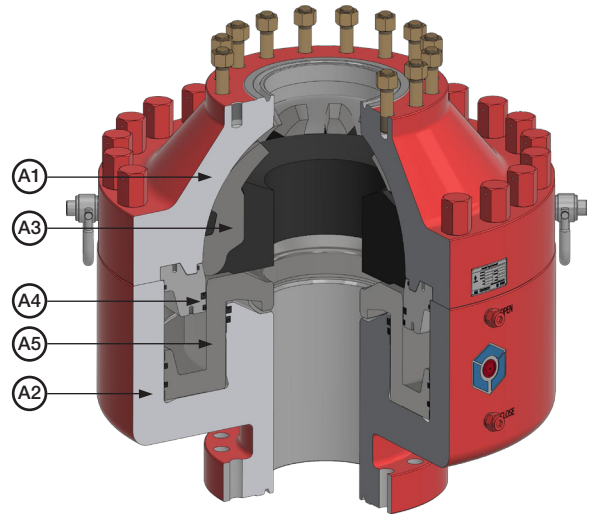
AS ANNULAR BOP DIMENSIONS AND WEIGHTS

AS BOP			13 - 5/8" 5000Psi
Height:	T1	in [mm]	45.91 [1166]
Diameter:	S1	in [mm]	50 [1270]
Weight: BOP with Packing Element		lbs [kg]	13,734.8 [6230]
Weight: Packing Element		lbs [kg]	268.97 [122]

Hydraulic Operating Pressure (Closing)

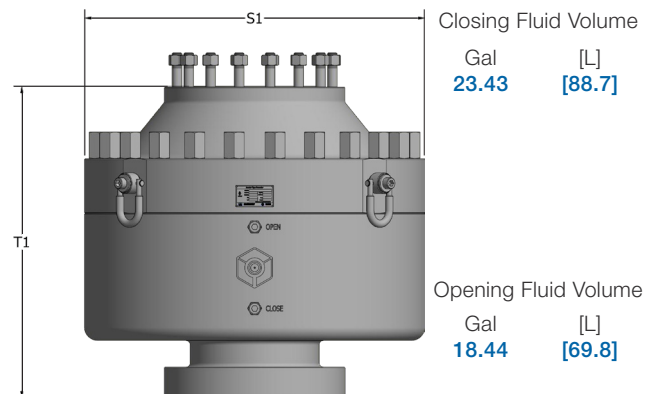
No.	Shut Off Mode	String	Psi
1	Complete Shut Off	N/A	1500
2	Annulus Shut Off, Static String	Drill String	1500
3	Annulus Shut Off, Static String	Casing and Tubing String ≤ 7" OD	1500
4	Annulus Shut Off, Dynamic String	All Strings ≤ 7" OD	500-1500*

* As required for prevailing equipment and well conditions



Other Features of the AS Annular BOP:

- Minimal components, compact construction
- Forged housing and piston components
- Wear band feature prevents dynamic metal-to-metal contact
- Stainless steel inlay on all ring grooves as standard
- Upper housing mounted lift eyes
- Rugged packing element construction with integral steel segments to support reliable sealing performance on a wide range of string profiles
- Certified rubber goods for packing elements and hydraulic operating system
- Easy to operate and service
- Optional Closing Pressure Surge Kit available for stripping operations
- Compliant with NACE MR-01-75 requirements
- API 16A monogrammed.



INTEGRITY

ON EVERY **WELL**

P.O. Box 37063 Dubai
United Arab Emirates

T: +971 4 880 3909

F: +971 4 880 1858

E: enquiries@cansco.com

 [/CanscoDubai](#)

 [/Cansco-Well-Control](#)

 [/Cansco-Well-Control](#)

 www.cansco.com